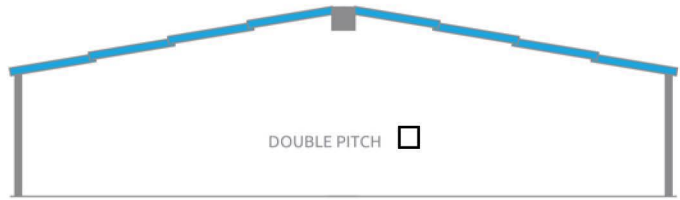
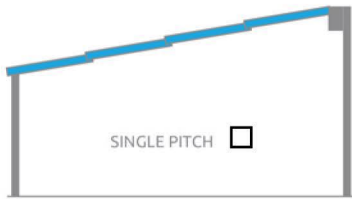


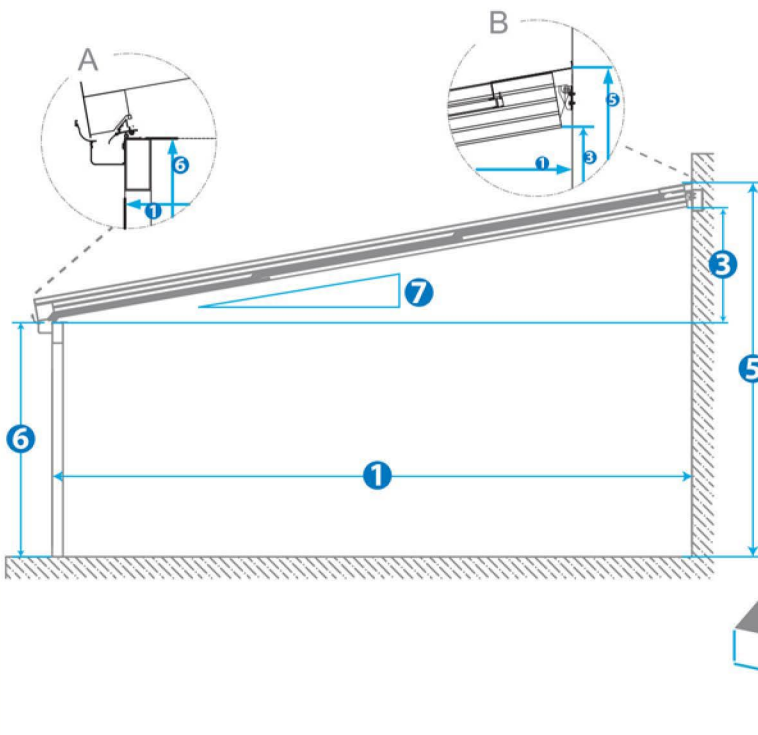
REQUEST FORM SOLAGLIDE SKYLIGHT

PURCHASER / DEALER		CITY	DATE
CLIENT NAME		STATE	COUNTRY
PROJECT NAME		PHONE	E-MAIL
PROFILE COLOR	OTHER PROFILE COLOR (+3% TO LIST PRICE)	**SYSTEM TYPE PLEASE SELECT GLAZING ON PAGE 2	
RAIN SENSOR (Automatic Closing During Rain)	YES <input type="checkbox"/> NO <input type="checkbox"/>	TEMPERATURE SENSOR (Automatic lock system if below 3c°)	YES <input type="checkbox"/> NO <input type="checkbox"/>
SNOW LOAD SPECIFY psf OR kPa		psf <input type="checkbox"/> kPa <input type="checkbox"/>	WINDLOAD SPECIFY mph OR m/s
OPERATION SELECTION		System Operation Control Options	
Motorized		Remote Control, Wall Switch, Libart Control Panel etc.	
WHAT WILL THIS AREA BE USED FOR? THIS INFORMATION AFFECTS GENERAL DESIGN		RESIDENTIAL <input type="checkbox"/> CAFES AND RESTAURANTS <input type="checkbox"/> HOTELS AND COMMERCIAL <input type="checkbox"/> INDUSTRIAL <input type="checkbox"/> OTHER <input type="checkbox"/>	
PROJECT STATUS		UNDER CONSTRUCTION <input type="checkbox"/> COMPLETED <input type="checkbox"/> RETROFIT <input type="checkbox"/> IN DESIGN <input type="checkbox"/> OTHER <input type="checkbox"/>	
Supporting Structural System Provide by		Client <input type="checkbox"/> Other <input type="checkbox"/>	

SOLAGLIDE RETRACTABLE SKYLIGHT MODELS



MEASUREMENTS



*UNIT OF MEASURE

INCH MM

- | | | |
|--------------------------|------------------------------|-----------------------------|
| *GUTTER | YES <input type="checkbox"/> | NO <input type="checkbox"/> |
| *END WALL | YES <input type="checkbox"/> | NO <input type="checkbox"/> |
| 1- *SPAN | | |
| 2- WIDTH | | |
| 3- RISE | | |
| 4- BAY WIDTH (max. 1.6m) | | |
| 5- UPPER EAVE HEIGHT | | |
| 8- LOWER EAVE HEIGHT | | |
| 8- SLOPE | | |
| 8- REQUESTED BAY NUMBER | | |

** Bay width is between 0.9m (35") to 1.6m (69")

NEXT PAGE

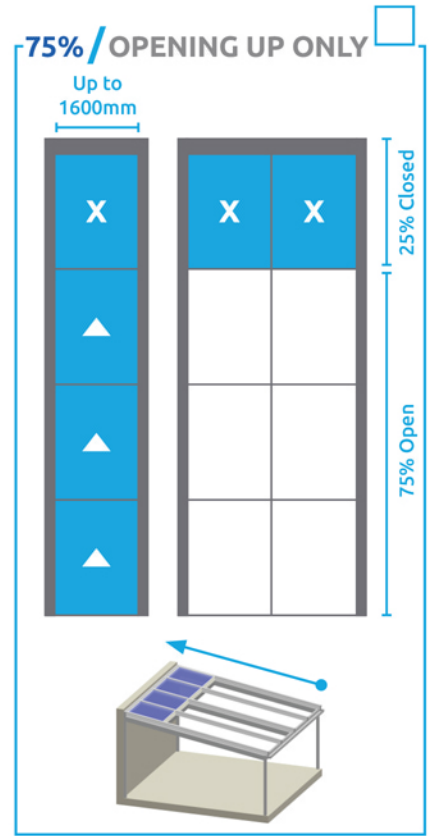
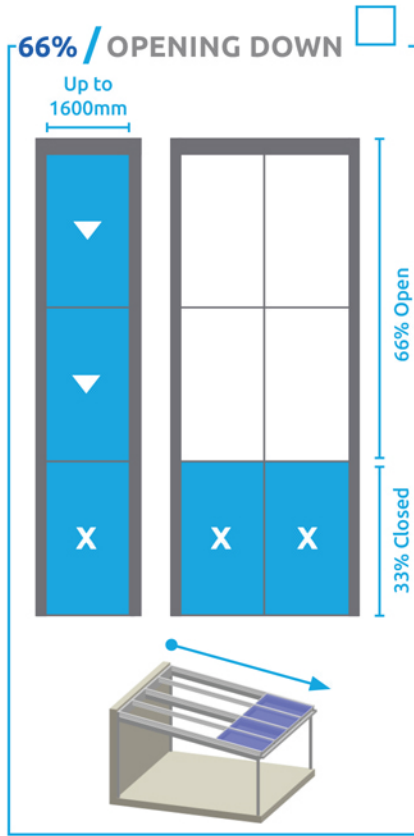
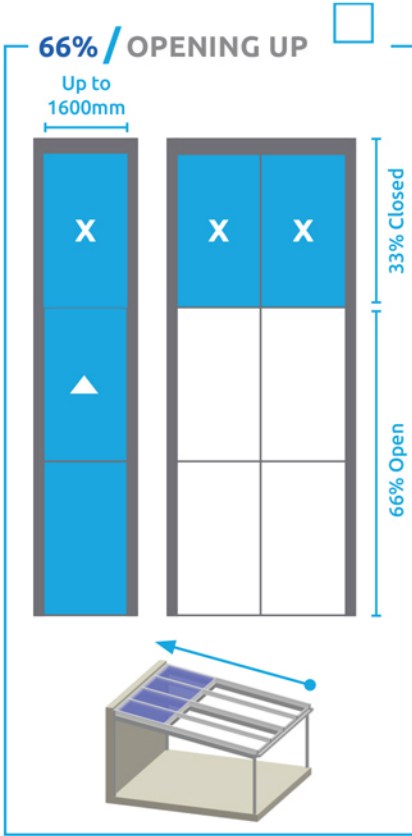
PROJECT MANAGER

*MARKED PLACES ARE MONDATORY

REQUEST BY

PAGE 1/2

RETRACTION TYPE



GLAZING

**RRP
(Polycarbonate)**

GLAZING SELECTION

GLAZING COLOR

OTHER GLAZING

**RRG
(GLASS)**

GLAZING SELECTION

GLAZING COLOR

OTHER GLAZING

EXTRA GLASS OPTIONS

Specify if "Low-E coating" is required inside surface of lower laminated pane:

YES NO Detail

Specify if inert gas is required inside (Argon etc.)

YES NO Detail

Reflective or similar special coating

YES NO Detail

Cleaning Protection (nano-coating)

YES NO Detail

PURCHASER / DEALER

CLIENT NAME

PROJECT NAME

NEXT PAGE

PROJECT MANAGER

REQUEST BY

*MARKED PLACES ARE MONDETERY

COMMENTS, NOTES AND EXAMPLE PROJECTS

 ARE THERE ANY CODES, BUILDING OR SAFETY REGULATIONS THAT MAY AFFECT DESIGN?

 NOTES

PURCHASER / DEALER

CLIENT NAME

PROJECT NAME

SAVE AS

PROJECT MANAGER

*MARKED PLACES ARE MONDETORY

PRINT FORM

REQUEST BY

PAGE 3/3