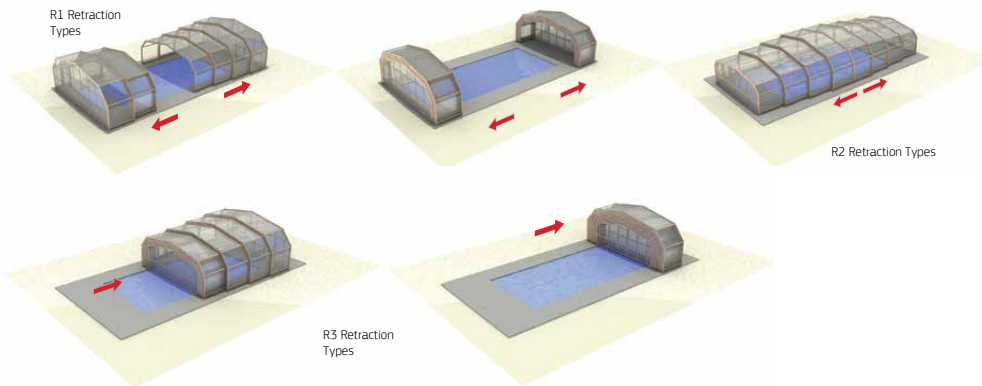
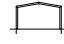
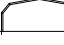




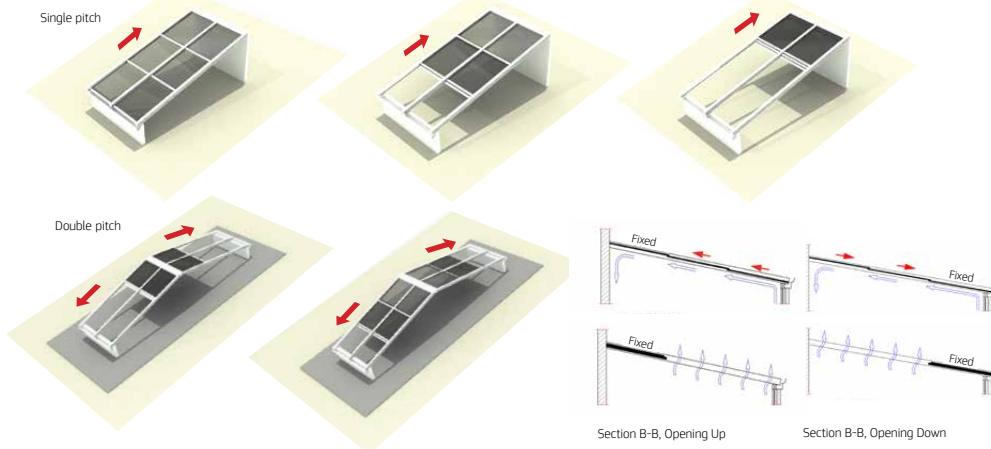
RETRACTABLE ENCLOSURES & ROOFING

FREESTANDING



Freestanding Model		Max. Width m	Max. Length m
	E	12	60
	D	16	60
	V	20	60
	K	24	60

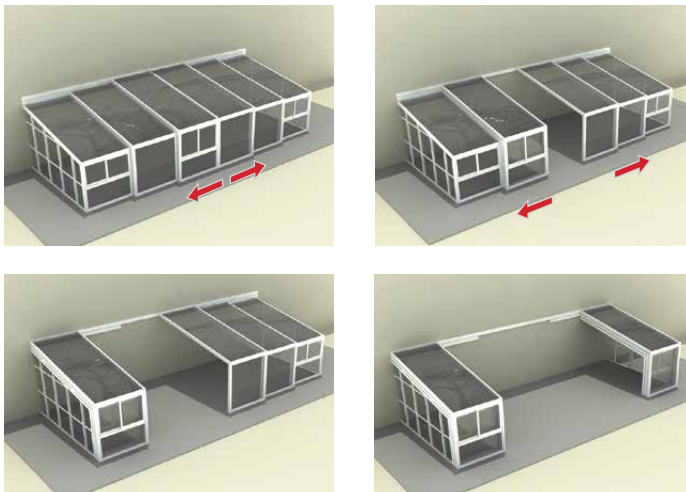
RETRACTABLE ROOFING

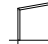




Retractable Roofing	Projection, up to (single pitch) m	Width m
16xmm PC	9	0.9 - 1.3
Laminated glass	7	0.9 - 1.3
Insulated glass	6	0.9 - 1.3

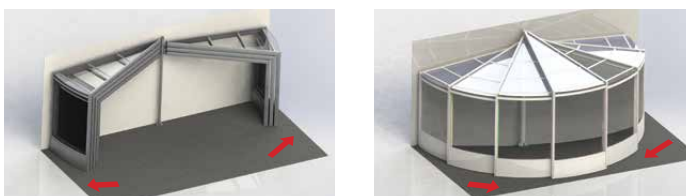
- Available in 66% and 75% opening models
- Equipped with motor, remote control, and rain sensor
- With termaly broken profile system
- Special designs can be produced for larger projects in addition to above standard dimensions.
- Aluminum structure support system can be provided

LEAN TO



Lean-to Model		Max. Width m	Max. Length m
	EL	6.6	34
	DL	7.4	34
	VL	8.0	34

CIRCULAR



Round-Circular Model	Max. Diameter m	Max. Opening Deg	Max. Height m
UL	20	270°	3.4



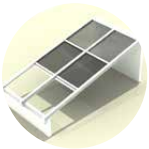
RETRACTABLE ENCLOSURES

GLASSCON is a global brand in the field of “Facade Engineering & Contracting”. The vision and goal of GLASSCON is to be the global leader in its field, creating innovative and customer centric solutions and implementing unique designs around the world.

The innovative designs of GLASSCON provide unique moving architectural solutions for residential, restaurant, hospitality, and industrial clients. GLASSCON'S stands by for delivering high-standard architecture with modern-conscientious features, where environmental impact, energy efficiency and safety is important part of its designs. GLASSCON'S retractable structures blend indoor and outdoor spaces, allowing for “Indoor Comfort, Outdoor Freedom”. The settings and applications are endless, allowing anyone from municipalities, colleges, manufacturers, and residential swimming pools to benefit from GLASSCON'S kinetic architectural solutions.

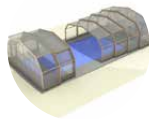
How can GLASSCON work for you?

GLASSCON custom designs and fabricates light, functional and aesthetically attractive operable structures. What is commonly known as kinetic structures, creates multipurpose operable / retractable buildings that extend the functionality and extend the use of residential, commercial and industrial spaces. GLASSCON designs create an “indoor comfort - outdoor freedom” environment.



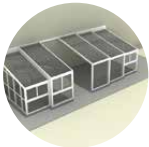
RETRACTABLE ROOFING

GLASSCON retractable structures and retractable roofing invite you to enjoy your pool or patio at home, anytime, regardless of changing seasons or inclement weather.



FREESTANDING RETRACTABLE STRUCTURE

If you already have the perfect restaurant environment, add GLASSCON retractable architecture to increase your usable area and gain the best ROI for your business. If you have a patio or deck area where usage is limited in the off-season, GLASSCON can cover it during rough weather and open up during sunny days, getting you the best investment for your business.



LEAN-TO RETRACTABLE STRUCTURE

Outdoor spaces at hospitality locations, social venues, and living complexes are the most popular areas guests and residents want to be; adding a retractable structure with half the cost of conventional construction will provide the best value for your investment. Increasing outdoor time for customers and guests is a great way to increase excitement and gain repeat visitors.



SPECIAL PROJECTS

GLASSCON'S continuing research and development in the field of retractable, opening structures, has lead us to unusual and interesting projects. During our ventures we have worked on and designed entirely new projects such as round retractable sunrooms, industrial clean rooms and very large light aluminum structures. Not limited to size either GLASSCON has developed Amplispan technology that can span up to 40 meters for commercial and community pools including outdoor pool conversions. Contact us and find out what GLASSCON'S experience with light, aluminum systems can create for your needs.

RETRACTABLE ROOFING



RETRACTABLE ENCLOSURES

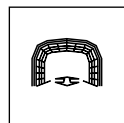
SPECIAL PROJECTS



FREESTANDING



German quality  Global mentality

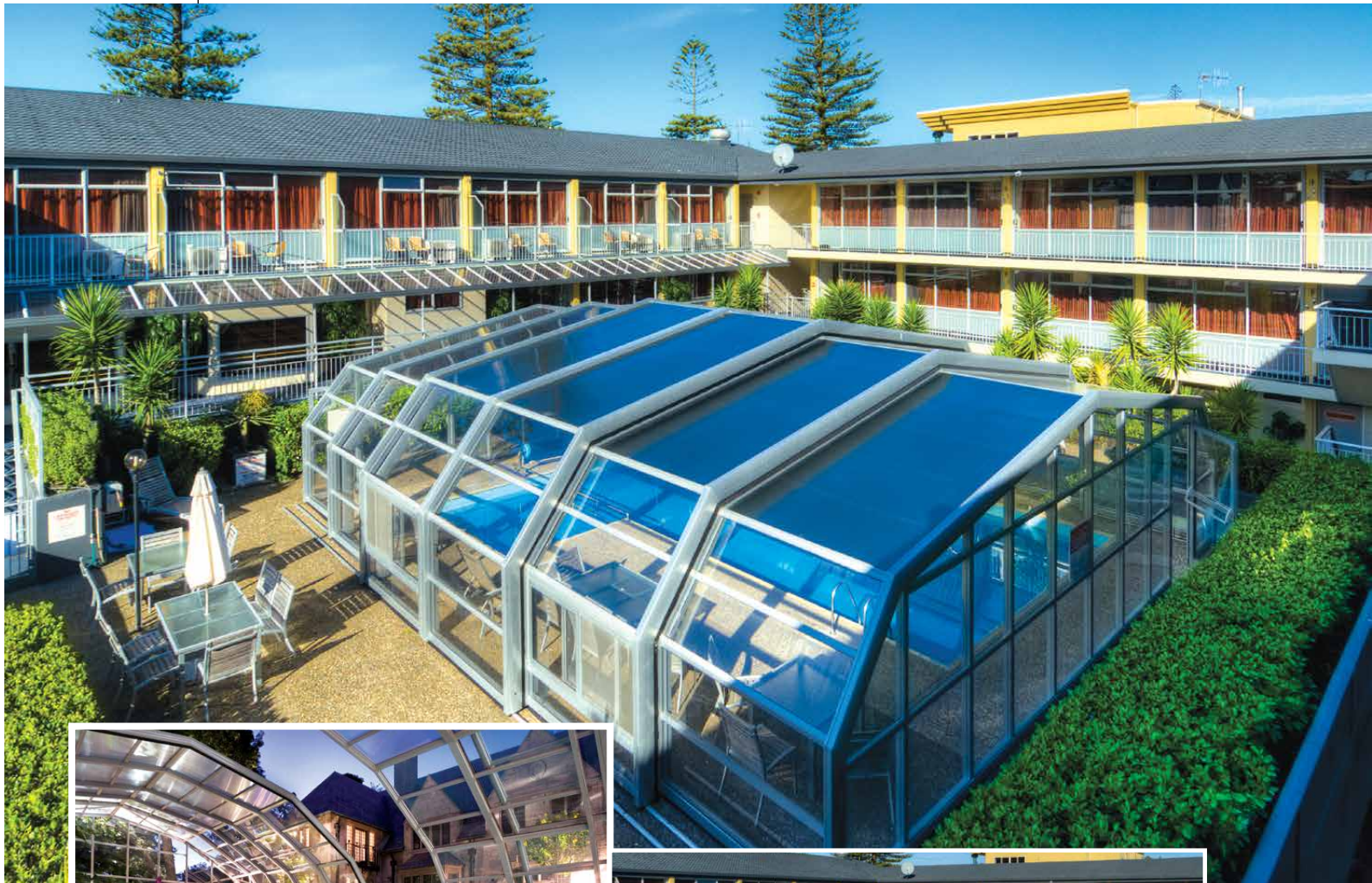


LEAN-TO





RETRACTABLE ENCLOSURES



GLASSCON GmbH
📍 Mergenthalerallee 77, 65760 Eschborn, Germany
☎ +49(0)61967889560
@ sales@glasscon.com
🌐 www.glasscon.com

Certified / Approved by:

