



SolaGlide Retractable Roofing Systems



Benefits of retractable skylight systems

Have you noticed how everyone always gravitates to the seats near the windows, while the rest of the covered area seats are empty? Glasscon's retractable roofing systems lets in the natural light when closed and fresh outdoor experience when open.

Who wants to be inside on a sunny day? Restaurant and cafe owners, make sure your outdoor seating is always available and revenue producing, no matter what the weather throws at you. Don't always leave your customers in the dark with fabric or solid roofing!

Everyone has a window seat with Glasscon Retractable Skylights

Indoor comfort, outdoor freedom!

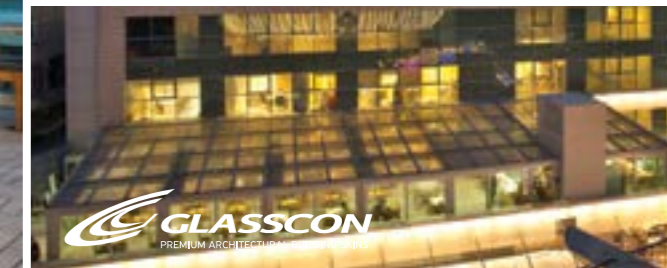
© 2014 by Glasscon, No part of this catalogue or any of its contents may be reproduced, copied, modified or adapted, without the prior written consent of the author.

Project #2955



The retractable glass roofing system at Medipol hospital cafeteria, created a relaxing oasis for patients and visitors. The added sunlight and fresh air revives the hospital atmosphere!

- System** : s: 10.4m (34' 1") x w: 27.3m (89' 6"), 21 bays
75% motorized opening
- Glazing** : Insulated Solar Control Glass
6mm tempered + (6+6)mm laminated



Project #4647



The Thales Cafe, holds the distinction of a completely glass and retractable patio cover. Glasscon have designed and constructed the complete patio building, from retractable skylights to folding glass panel doors, to the whole support structure.

- System** : s: 8.5m (27'10") x w: 15.5m (50'10"), 12 bays
75% motorized opening
- Glazing** : Insulated Solar Control Glass
6mm tempered + 10mm + (4+4)mm laminated



Project #152

Join the most innovative restaurateurs by creating an outdoor environment for your bar or eatery. Outdoor dining is on the radar of nearly every new restaurant build.

- System** : s: 6.5m (21'3") x w: 9m (29'6"), 16 bays
66% motorized opening
- Glazing** : PC Glazing (Solar Smart)
16Xmm triple wall Bronze
- Location** : Winnipeg / Canada



Project #4587

Legal Harborside restaurant is the new flagship 3-story location on the Boston waterfront for Legal Sea Food. With Glasscon retractable skylight, the patio room is transformed into an elegant dining and party area that allows for starlight dining.

- System** : s: 9m (29'6") x w: 19m (62'4"), 18 bays
66% motorized opening
- Glazing** : PC Glazing (Solar Smart)
16Xmm triple wall Solar Control Metallic
- Location** : Boston / USA



Project #4565

Divan, a legend for its food and hospitality, wanted to take advantage of this spectacular location by fully exposing its customers to the Mediterranean sun, at the same time protect them from the wind, rain and storms of the bosphorus while maintaining the natural light inside.

- System** : s: 6.6m (21'7") x w: 16.3m (53'5"), 8 bays
66% motorized opening,
- Glazing** : Solar Control Clear Reflective Glass
6mm tempered + 12mm + (5+5)mm laminated



Project #4236

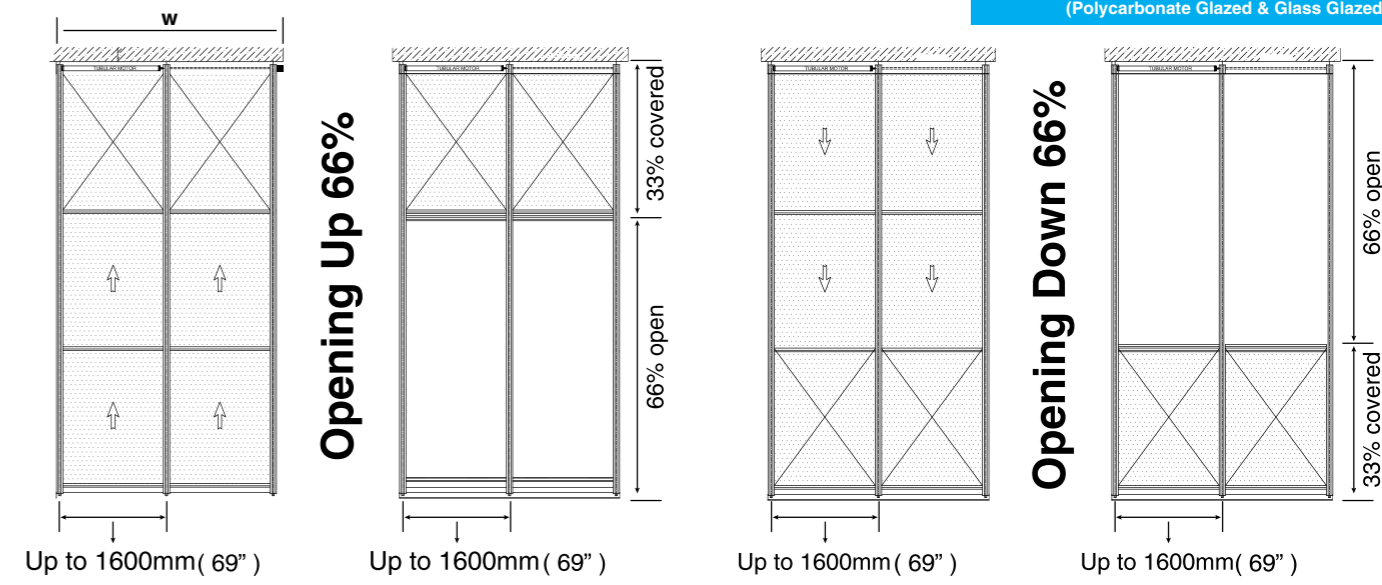
Glasscon's series of commercial roofs and skylights are an amazing investment for any restaurant owner. These patio skylights allow a greater return of investment of their respective areas as they can be utilized all the time.

System : Over s: 4m (13' 1") x w: 38m (124' 8"), 24 bays
66% motorized opening

Glazing : PC Glazing (Solar Smart)
16Xmm triple wall Solar Ice

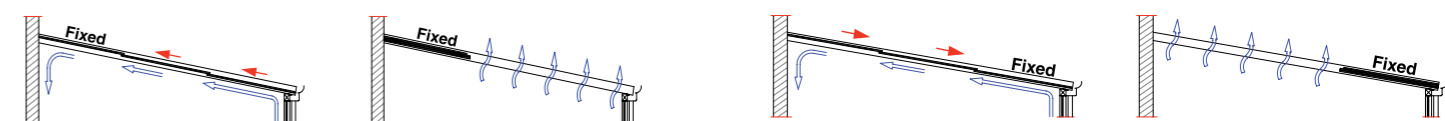


RRP & RRG 66% Single Pitch (Polycarbonate Glazed & Glass Glazed)



Retracting to top 66% & 75%

Retracting to bottom 66% only



Project #3185

Glasscon's retractable roofing allowed Alhan owner, Mr. Aldarmaki, year round use of this restaurant patio for any occasion. In this project, Glasscon retractable roofing provides protection from heat and sun's UV radiation during the days, and shelter from rain and cold weather of a desert night, when required

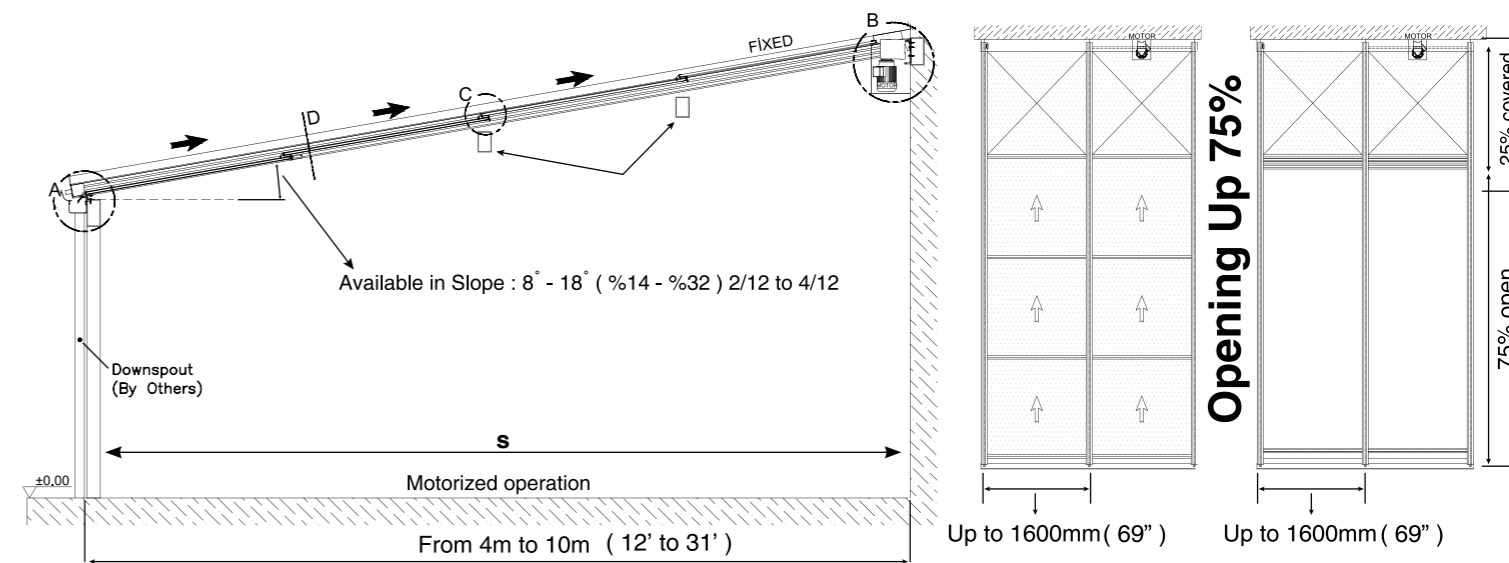
System : s: 16m (52'6") x w: 24m (78'8"), 22 bays
66% to 75% motorized opening (double pitch)

Glazing : PC Glazing (Solar Smart)
16Xmm triple wall Clear

Location : Abu Dhabi / UAE



RRP & RRG 75% Single Pitch (Polycarbonate Glazed & Glass Glazed)



Project #625

This retractable roofing system over a private residential pool is a double pitch design. The pool cover was built over a structural aluminum system with remote control motorized retractable roofing.

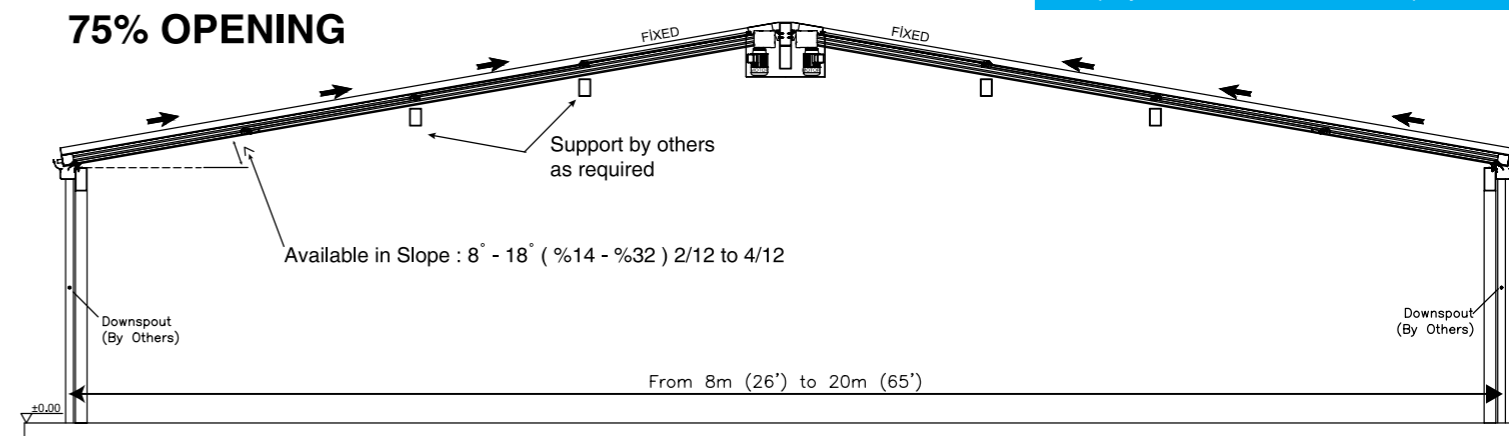
System : s: 7.7m (25'3") x w: 13m (42'7"), 2 x 12 bays
66% motorized opening (double pitch)

Glazing : PC glazing (Solar Smart)
16Xmm triple wall Solar Ice

Location : Malta



RRP & RRG Double Pitch (Polycarbonate Glazed & Glass Glazed)



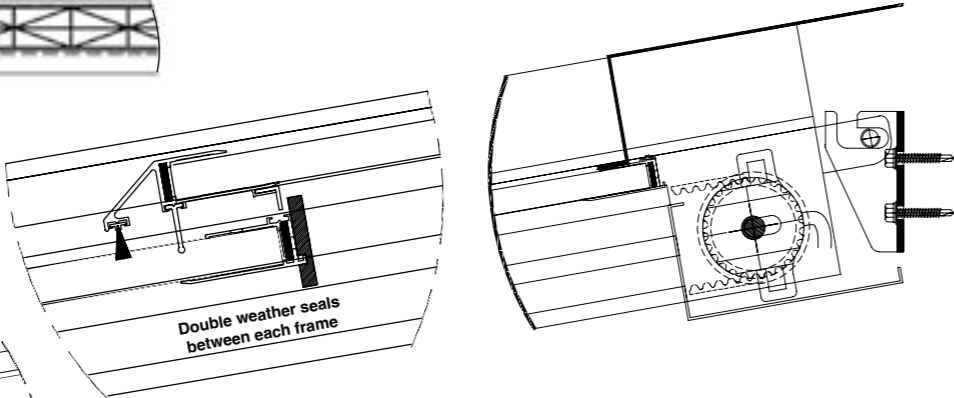
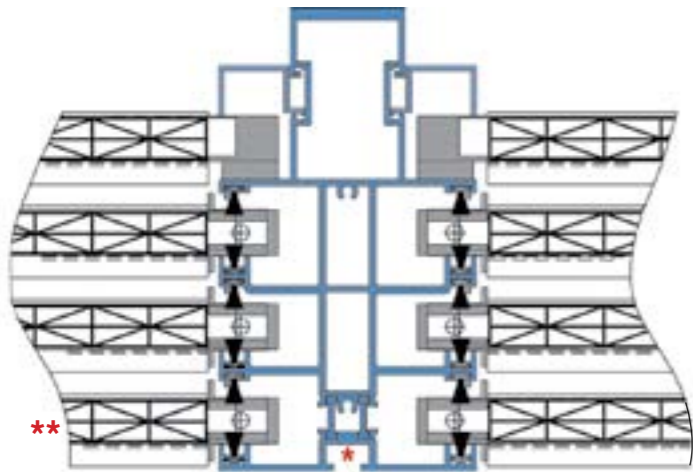
! Special designs can be produced for larger projects in addition to above dimensions.

PC Glazed Systems (RRP)

Structural System

Main mullions (thermally broken), frames and gutters are manufactured from 6063-T6 aluminum alloy and painted with electrostatic baked-on powder paints. All other components are made of SS (stainless steel), aluminum or non-corrosive materials.

*Thermally broken mullions, eliminate surface sweating and increase energy efficiency.

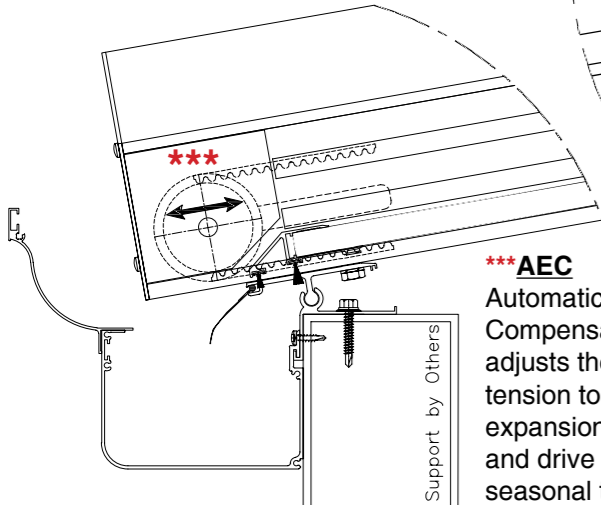


Drive System

Hidden Drive System built into the main mullions, provides protection from the environment and eliminates unsightly chains, cables, motor and similar drive components. Thermoplastic polyester cogged belt with steel reinforced cords are resistant to moisture, oils, UV and extreme temperature changes. Guarantee maintenance free operation for many years.

***AEC

Automatic Expansion Compensation System adjusts the drive belt tension to allow for thermal expansion of main mullion and drive belt due to seasonal temperature changes.



Glazing

Specially engineered 16mm triple-wall, "X" reinforced (**)^{PC} polycarbonate (PC) glazing, provides excellent load strength and insulation, better than double-insulated glass.

Range of Polycarbonate (PC) Glazing Options

RRP Glazing	%LT	%SC	U W/(m ² °K)
16mm PC Clear (translucent)	60	0.84	2.1
16mm PC *Solar Control Metallic (translucent)	25	0.43	2.1
16mm PC *Solar Ice (translucent)	20	0.44	2.1

*Glasscon recommended -All PC glazing filters 99% of UV radiation-

Light Transmission %LT : Percentage of incident visible light that passes through and object.

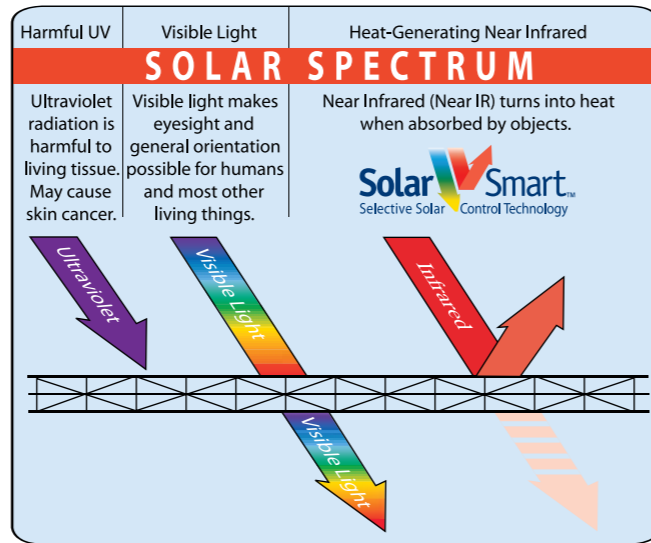
Shading Coefficient SC : The shading coefficient (SC) is derived by comparing the solar radiant heat transmission properties of any glass with a clear float glass having a total solar heat transmittance of 0.87

Motor and Control

Control System : Remote controls or wall switch

Control Options : Wall switch, remote controls, rain sensor and avabile connection to building Automation system.

Motor Options : Powerful Tube motors (55-120Nm)
(Hidden in internal drive system)

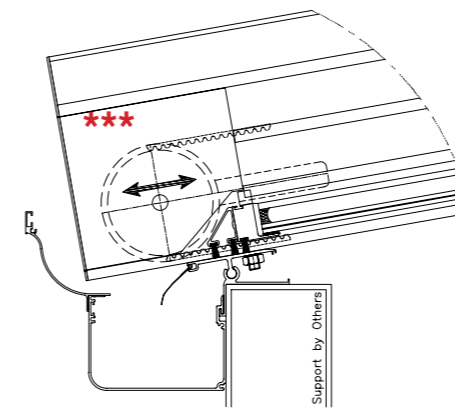
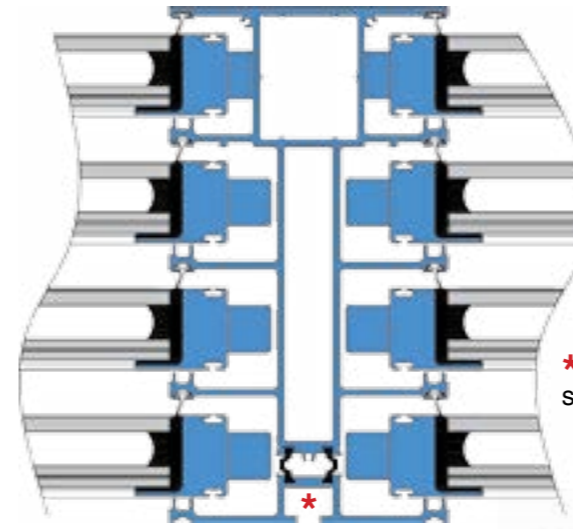


Glass Glazed Systems (RRG)

Structural System

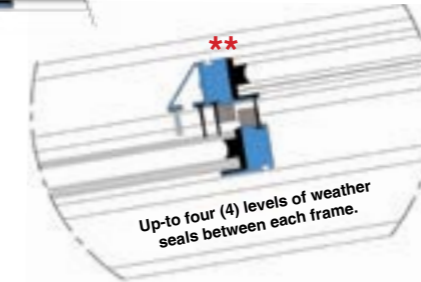
Main mullions (thermally broken), frames and gutters are manufactured from 6063-T6 aluminum alloy and painted with electrostatic baked-on powder paints. All other components are made of SS (stainless steel), aluminum or non-corrosive materials.

*Thermally broken mullions, eliminate surface sweating and increase energy efficiency.



***AEC

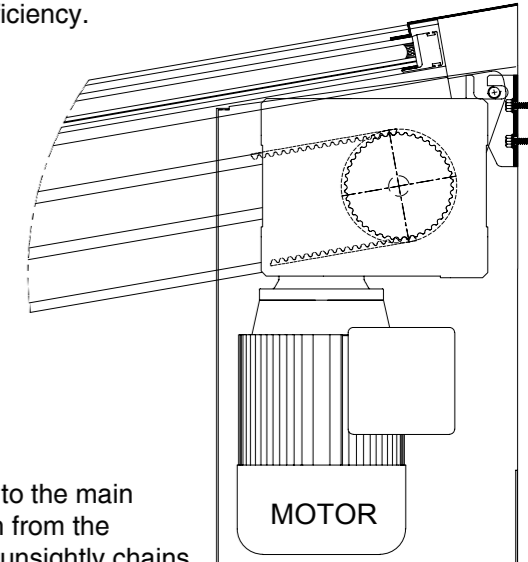
Automatic Expansion Compensation System adjusts the drive belt tension to allow for thermal expansion of main mullion and drive belt due to seasonal temperature changes.



Up-to four (4) levels of weather seals between each frame.

Drive System

Hidden Drive System built into the main mullions, provides protection from the environment and eliminates unsightly chains, cables, motor and similar drive components. Thermoplastic polyester cogged belt with steel reinforced cords are resistant to moisture, oils, UV and extreme temperature changes. Guarantee maintenance free operation for many years. Panels are independently driven from both sides to guarantee problem free operations by providing balanced force on the glass frames.



Glazing

Insulated (double) glass glazing provides good insulation and visual clarity. Standard glass glazing is composed of 6mm tempered + 14mm air gap (Argon gas filled as an option), and 4+4 laminated safety layer (with Low-E option) for up to 30mm of glass. Refer to below tables for options. Other variation options available on request.

RRG Glazing	%LT	%SC	U = W/(m ² °K)
6 mm Helio Clear T + 12HB + (4+4)mm Clear Laminated	77	0.70	2.7
6 mm Helio Bronze T + 14HB + (4+4)mm Clear Laminated	45	0.54	2.7
6 mm Tentesol Silver RT + 14HB + (4+4)mm Clear Laminated	34	0.48	2.3
6 mm Tentesol Grey RT + 14HB + (4+4)mm Clear Laminated	17	0.34	2.3
6 mm Tentesol Bronze RT + 14HB + (4+4)mm Clear Laminated	33	0.36	2.3
6 mm Tentesol Silver RT + 14HB + (4mm Low-E + 4) Clear - Laminated	33	0.36	1.6
6 mm Tentesol Green RT + 14HB + (4mm Low-E + 4) Clear - Laminated	28	0.23	1.6
6 mm Tentesol Blue RT + 14HB + (4mm Low-E + 4) Clear - Laminated	20	0.22	1.6

Light Transmission %LT : Percentage of incident visible light that passes through and object.

Shading Coefficient SC : The shading coefficient (SC) is derived by comparing the solar radiant heat transmission properties of any glass with a clear float glass having a total solar heat transmittance of 0.87

**Structural Glazing

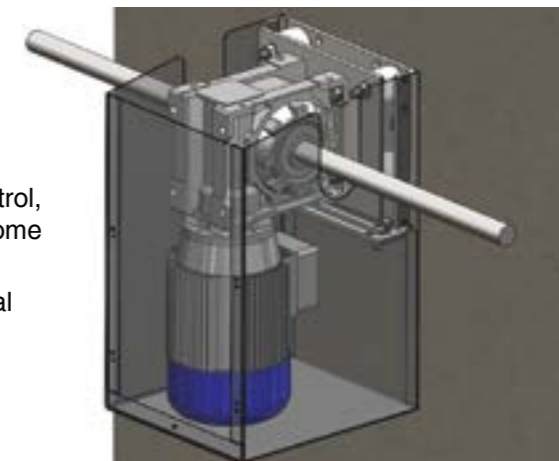
Structural silicone bonding of glass to frames assures, excellent water proofing between glass and frame, increased thermal insulation, prevents dirt accumulation on the lower edge of frames thus providing clean mud free glass surface, and improved structural strength to glass and frame. Strong enough to walk on the glass for servicing and cleaning.

Motor and Control

Control System : Wall switch or remote control

Control Options : Wall switch, remote controls, rain sensor, LCD Remote control, trouble shooting and diagnostics panel and avabile connection to building or home Automation system.

Motor Options : Powerful three-phase motors (0.55 - 1.6 kVA) with industrial reducers, silent and vibration free operation. Direct Drive System requires no servicing for years of problem free operation.
(Hidden in internal drive system)





#4699



#4707



#3899



#3185



#4593



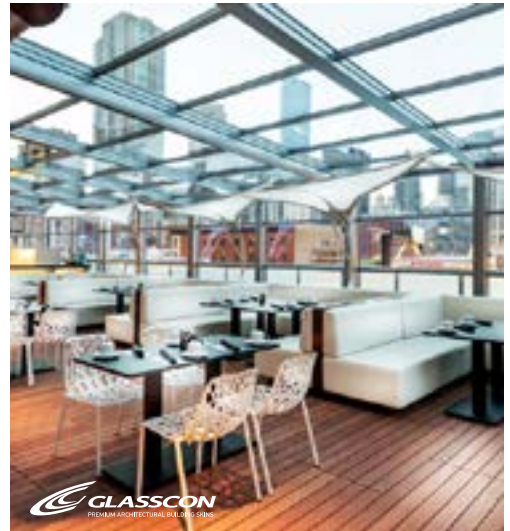
#4528



#4137



#4713



#6006